



LEADERSHIP THROUGH INNOVATION



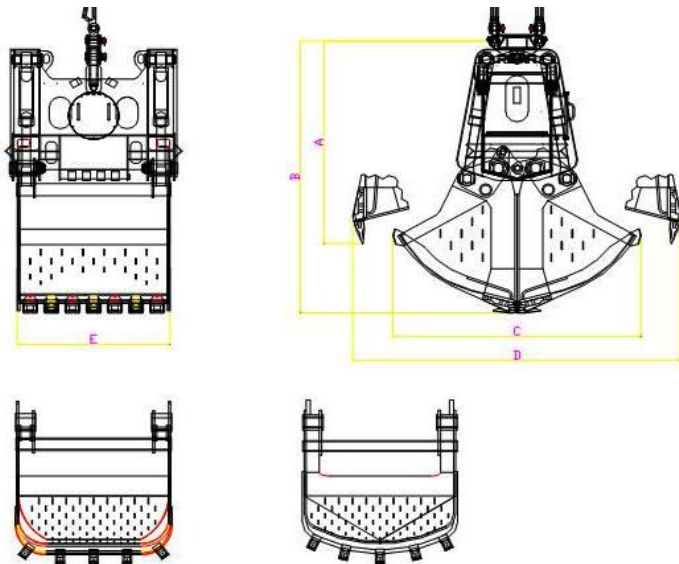
CLAMSHELL BUCKETS



HYDRO-ELECTRIC CLAMSHELL BUCKETS

ROHR CLAMSHELL BUCKETS ARE MANUFACTURED TO MEET THE EXTREME NEEDS OF TODAY'S SAND AND GRAVEL PRODUCER. ROHR OFFERS VARIOUS SHELL DESIGNS TO MAXIMIZE OUTPUT. SQUARE, ROUNDED CORNER AND ROUND NOSE SHELLS CAN BE ENGINEERED IN VARIOUS WEIGHT AND CAPACITY CONFIGURATIONS TO PROVIDE THE ULTIMATE DIGGING MACHINE.

- *MODELS COME IN SQUARE, ROUNDED CORNER OR ROUND NOSE DESIGNS*
- *EXCELLENT PENETRATION AND PERFORMANCE DUE TO ADVANCED SHELL DESIGN.*
- *MAINTENANCE FREE BEARING SYSTEMS.*
- *BIODEGRADABLE HYDRAULIC FLUID STANDARD.*
- *VARIOUS BUCKET TOOTH DESIGNS ARE AVAILABLE.*
- *BUCKET MONITORING AND DIAGNOSTIC SYSTEMS AVAILABLE..*



positions or situations of the hydraulic grab

closed	opening width of grab 45,00%	open
-0	+60	+100
closing time	22,00Sec	
opening time	13,00Sec	
current depth	38,00m	

tilting angle	+12 °
limit value left	25,00*
limit value right	25,00*
depth at touch down	37,00m

ROHR'S BUCKET MONITORING AND DIAGNOSTICS SYSTEM ALLOWS THE OPERATOR TO MONITOR THE SHELL POSITION, TILT ANGLE, AND HYDRAULIC PRESSURE IN REAL-TIME. IN ADDITION, THIS SYSTEM MONITORS ALL VITAL BUCKET FUNCTIONS.

***U.S. PATENT 6.134.185**

SPECIFICATIONS:

TYPE	CAPACITY*	CLOSE	OPEN	H.P.	DIM. A	DIM. B	DIM. C	DIM. D	DIM. E	WEIGHT
RS 4.5	6.0 CU/YD	16 SEC.	7 SEC.	75	8' 10"	11' 7"	10' 7"	12' 11"	6' 1"	15000
RS 6.0	8.0 CU/YD	18 SEC.	8 SEC.	105	9' 4"	12' 7"	11' 9"	14' 1"	6' 6"	19800
RS 8.0	10.8 CU/YD	18 SEC.	9 SEC.	130	10' 7"	14' 1"	12' 3"	15' 5"	7' 4"	26400
RS 10.0	13.6 CU/YD	22 SEC.	11 SEC.	150	11' 7"	15' 10"	13' 9"	16' 10"	7' 10"	34800
RS 12.5	16.2 CU/YD	22 SEC.	11 SEC.	175	12' 5"	17' 0"	14' 9"	19' 0"	7' 10"	45200
RS 15.0	20.0 CU/YD	25 SEC.	13 SEC.	200	14' 5"	18' 1"	16' 4"	22' 5"	8' 6"	50200

*BUCKET CAPACITY SHOWN AT 20 DEG. HEAP.

CUSTOM BUCKET DESIGNS AVAILABLE FOR SEVERE DUTY APPLICATIONS.



WWW.ROHRCORP.COM

ROHR CORPORATION
6295 DRY FORK RD.
CLEVES, OH 45002

PHONE: 513.202.0800
FAX: 513.202.0888
EMAIL: INFO@ROHRCORP.COM

ROHR CORPORATION (WEST) PHONE: 925.687.9700
288 BUCHANAN FIELD RD. FAX: 925.891.3800
CONCORD, CA 94520